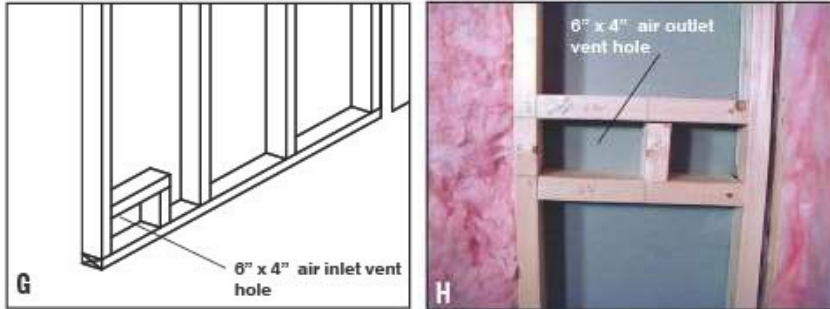


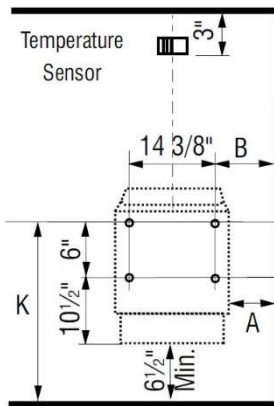
Custom Sauna Preparation Checklist

Framing

- Room framed to exact dimensions as shown on drawing. Measurements stud face to stud face.
- 6" x 4" framed opening for air inlet and outlet. Inlet located directly below the heater. Outlet located on wall opposite the heater unless otherwise noted. The top of the outlet should be 23" above finished floor.



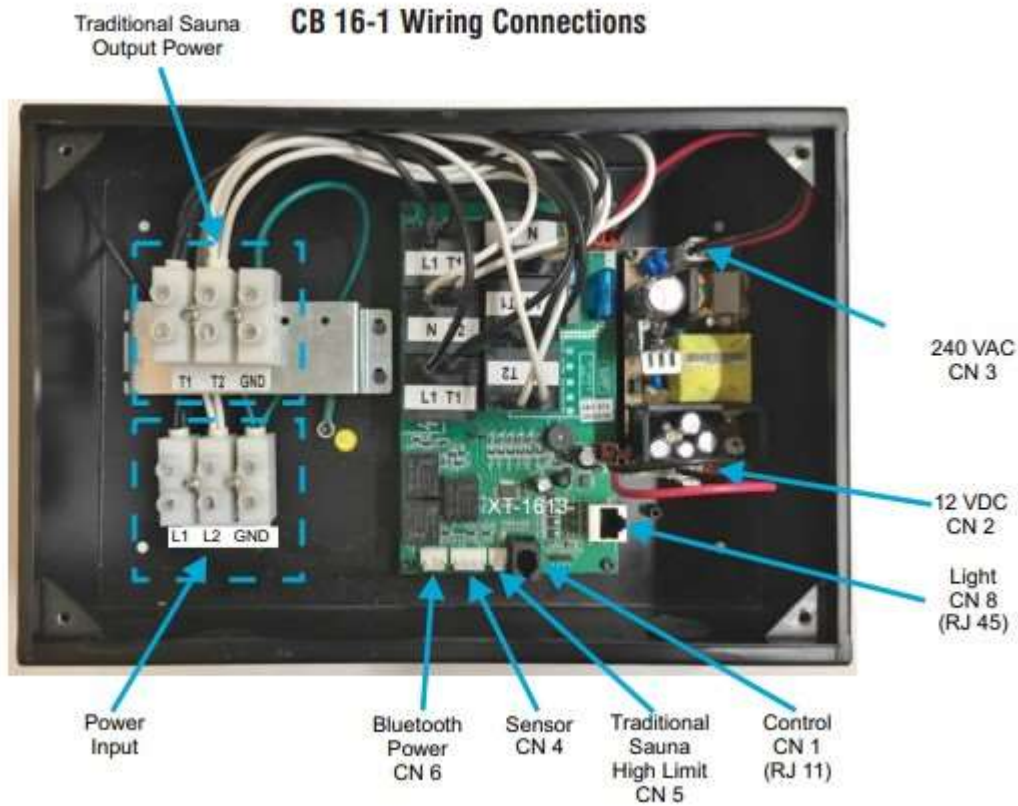
- Heater mounting bracket in place if heater is wall mounted. Example shown for Designer Heater



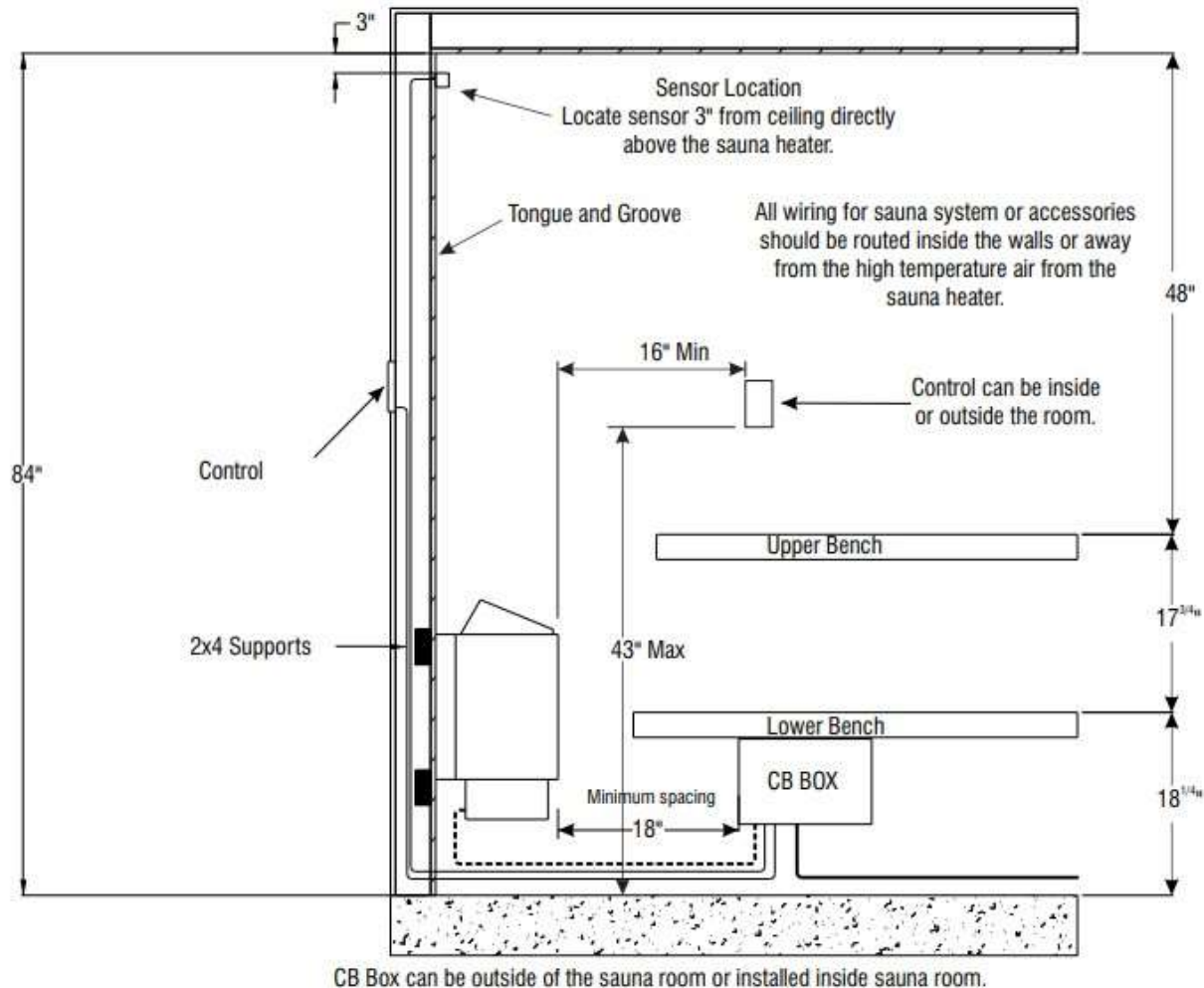
HEATER	MINIMUM				
	"A" DISTANCE	"B" DISTANCE	"C" DISTANCE	"D" DISTANCE	"K" DISTANCE
Designer 4.5	3.0"	3 5/8"	4.0"	11 1/2"	23"
Designer 6.0	4.0"	4 5/8"	5.0"	11 1/2"	23"
Designer 8.0	5.0"	5 5/8"	6.0"	11 1/2"	23"

Electrical

- Electrical rough-in complete by electrician. Main power connects to the Contactor Box (CB) shown below. All other components wire individually into the contactor box.
- Contactor Box is ideally installed in adjacent room but can also be mounted inside sauna below the lower bench. **Must be accessible for service.**



- Conduit or system to pull wires from CB to the Control, Sensor, and Heater. These wires will need to be pulled by an electrician after the T and G installation.



Insulation

- Walls insulated with R-11 unfaced fiberglass bats.
- Ceiling insulated with R-30.

Floor

- The floor should be a waterproof surface such as tile or concrete.
- A floor drain is not required and not recommended.
- Removeable wood duckboard will be provided by Finnleo for the entry way. Duck board is designed to sit on top of a **full finished floor**.

Fire Suppression

- If sprinkler system is being installed, it must be rated for well over 200 degrees F (blue).

Door

- **Door must swing out.**
- If sourcing a door from Finnleo, must specify jamb width. Once ordered, the jamb width cannot be trimmed or modified in any way.
- A full glass front, even when gasketed properly, may result in heat loss and prevent the room from reaching max temp. If choosing to go this route, all jamb work and glazing must be performed by others.

Time Frame

- Once your sauna arrives at our warehouse, it must be delivered as we have limited storage space.
- We can coordinate production for your desired install timeframe in which case we ask that you take delivery at that timeframe.

By signing below, you acknowledge that you have read this document in its entirety and that you understand all necessary preparation requirements for your custom sauna project. You also acknowledge that in the event of improper ventilation or a glass front, Mountain Hot Tub does not accept responsibility if the unit does not reach maximum temperature as both improper ventilation and overuse of glass can have this effect.

Signature _____ **Date** _____